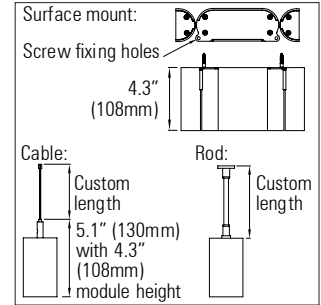
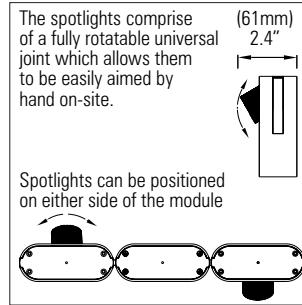
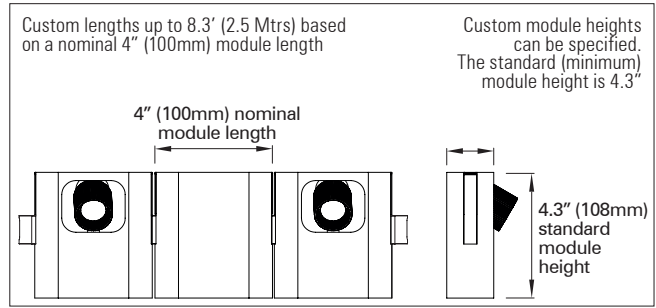


## Centura 40 IP20 Class 2

Flexible modular LED linear pendant lighting system with integral aimable spotlights

Down light - 2 or 4 x high power LEDs with lenses per module

Accent light - 1 x 3 Watt Micro Spotlight with lensed LED per every other module



Modular flexible LED pendant lighting system IP20 - Accent and Down light

### Product description:

Centura has an articulated linkage-joint system between modules allowing for flexibility along the major axis. This innovative modular design offers the flexibility to follow curved surfaces, encircle columns and domes, and to make irregular shaped pendants, all whilst offering excellent lighting control and uniformity.

**Down light - each module:** 2 or 4 x Cree XPE, XPG LEDs or Osram Oslon LEDs with Ledil Tina2 or Heidi lenses. Up to 1,500 Lumens per ft (5,000 Lumens per Mtr)

**Accent light - every other module:** 1 x fully rotatable 3 Watt spotlight using Cree XP-E, XP-G or XQ-E LED with Ledil Heidi lens. Up to 300 Lumens per spotlight

Up to 7.5 Watts per 4" (100mm) module

30 Volt - 48 Volt DC supply depending on application

Integral LV constant current drivers

Dimming options available: 1 - 10V, DMX and DALI

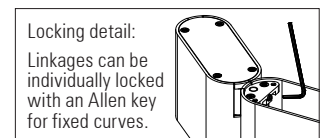
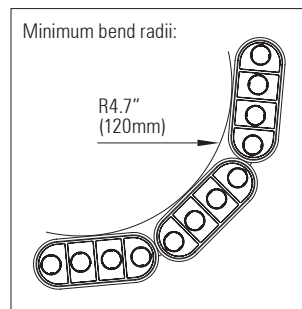
Various LED colour temperature and CRI options available

Body - Satin black, white or any RAL powder coat or anodized finish. Decorative anti-glare louvred snoots and spotlight cowls with custom powder coat or anodized finishes to order. The louvre and spotlight cowl finish can differ from the body finish.

Custom lengths based on a 4" (100mm) module up to 8.3' (2.5 Mtrs)

Rod or cable suspension options. Custom solutions are also available

\* For options with colour mixing lens, see data sheets for Centura 40 IP20 versions with 1x LED cluster array with 32mm ø colour-mixing lens per module



Downlight; Up to 1,500 lumens per ft (Up to 5,000 Lumens per Mtr)

Accent light; Up to 457 lumens per ft (Up to 1,500 Lumens per Mtr)

LED / lens matrix	CREE XP-E		CREE XP-G	
	Tina	Heidi	Tina	Heidi
Diffused spot (D)	12 °	9 °	17 °	12 °
Real spot (RS)	11 °	8 °	15 °	9 °
Medium (M)	31 °	28 °	30 °	28 °
Wide (W)	50 °	32 °	57 °	31 °
Wide (WW)	55 °	44 °	58 °	44 °
Wide (WWW)	57 °	N/A	60 °	N/A
Elliptical (O)	32+14 °	48+10 °	35+16 °	47+14 °

Product Code	No. of LEDs per foot	IP	Length	LED Type	CRI	Colour Temp. (K)	Optics	Mounting Type	Cut angle(°)	Finish
RAD CENTURA 40 FLEXIBLE DOWN & ACCENT IP20	Down light: 4 x LEDs per module: 1" (25mm) pitch 2 x LEDs per module: 2" (50mm) LED pitch	20	4" (100mm) to 8.3' (2,500mm)  Available in 4" (100mm) increments	Down light: Cree XP-E, XP-G, XQ-E or Osram Oslon	Cree: 80 90	27=2,700k 30=3,000k 35=3,500k 40=4,000k 45=4,500k 50=5,000k * RGBW * RGBA * Dynamic white	Downlight and accent light: See LED / Lens matrix above	Steel Cable	0° - 75°  Available in 5 degree increments	Body: Any powder coat or anodized finish
	Accent light: 1 x spotlight per every other module: 8" (200mm) LED pitch			Accent light: Cree XP-E, XP-G, XQ-E	Osram: 95			Fixed rod		Louvre: Any powder coat or anodized finish
								Surface mount		Spotlight cowl: Any powder coat or anodized finish